



## 53C11K

**53 Series Industrial Potentiometer, Conductive Plastic Element, Solder lug Terminals, 2 W Power Rating, 1 kOhm Resistance Value**

*Representative photograph, actual product appearance may vary.*

*Due to regional agency approval requirements, some products may not be available in your area. Please contact your regional Honeywell office regarding your product of choice.*

### Features

- Robust nickel-plated brass shaft and bushings
- Conductive plastic element
- Linear taper
- 25,000 cycle rotational life

### Typical Applications

- Manual controls (throttle, joystick)
- Electric vehicles
- Personal mobility
- Off-road vehicles
- Welding and heating
- Telecommunications

### Description

The 53 Series is an economical potentiometer made with a rugged construction. It offers a 2 watt power rating and the benefits of a conductive plastic element. It is available in a special construction that accepts a rotary switch (purchased separately).

## 53C11K

**53 Series Industrial Potentiometer, Conductive Plastic Element, Solder lug Terminals, 2 W Power Rating, 1 kOhm Resistance Value**

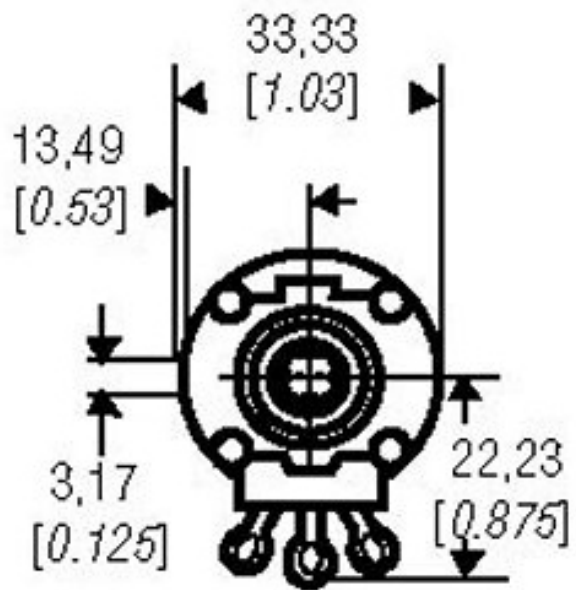
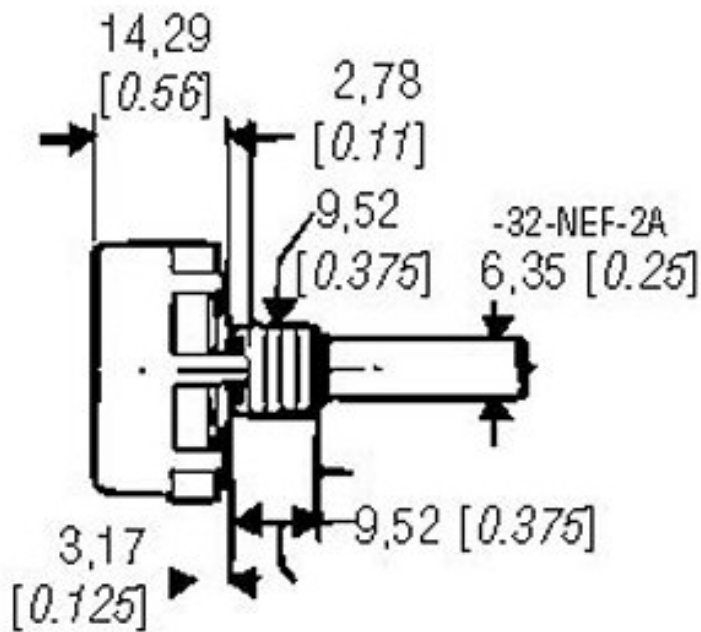
Product Specifications	
<b>Potentiometer Type</b>	Industrial
<b>Element Type</b>	Conductive Plastic
<b>Terminal Type</b>	Solder lug
<b>Power Rating</b>	2 W
<b>Resistance Value</b>	1 kOhm
<b>Resistance Tolerance</b>	± 10 %
<b>Linearity</b>	± 5 %
<b>Bushing Thread</b>	9,53 mm [0.375 in] x 32 NEF-2A
<b>Bushing length</b>	9,53 mm [0.375 in]
<b>Bushing Type</b>	Standard
<b>Shaft Diameter</b>	6,35 mm [0.25 in]
<b>Shaft length</b>	50,80 mm [2.0 in]
<b>Shaft Ending</b>	Plain round
<b>Body</b>	27.8 mm [1.094 in] diameter max. except at terminal standoff
<b>Electrical Taper</b>	Linear
<b>Operating Temperature</b>	-55 °C to 120 °C [-67 °F to 248 °F]
<b>Working Voltage (Max.)</b>	500 V
<b>Rotational Life</b>	25000 cycles
<b>Mechanical Rotation</b>	312°
<b>Availability</b>	Global
<b>Series Name</b>	53 Series
<b>UNSPSC Code</b>	4111363300
<b>UNSPSC Commodity</b>	4111363300 Potentiometers

# Honeywell

## 53C11K

**53 Series Industrial Potentiometer, Conductive Plastic Element, Solder lug Terminals, 2 W Power Rating, 1 kOhm Resistance Value**

## For Reference Only



# Honeywell

## 53C11K

**53 Series Industrial Potentiometer, Conductive Plastic Element, Solder lug Terminals, 2 W Power Rating, 1 kOhm Resistance Value**

### **⚠ WARNING**

#### **PERSONAL INJURY**

DO NOT USE these products as safety or emergency stop devices, or in any other application where failure of the product could result in personal injury.

**Failure to comply with these instructions could result in death or serious injury.**